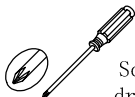

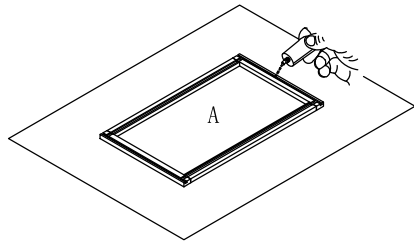


Wine Rack Cabinet Assembly Instruction

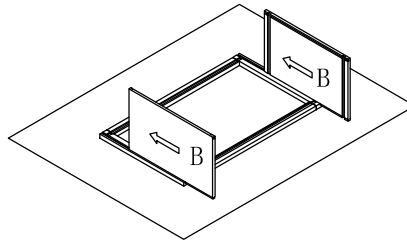
(Item:WR3618)

| | | | | | | | | | | | | | | |
|-------------------|--|--|--|-----------------|----------------------|-------------------------|--|---|---|------------|--|--|--|--|
| Hardware list | 1 8pcs $\varnothing 3.5 \times 14 \text{mm}$ | 2 6pcs $\varnothing 3.5 \times 16 \text{mm}$ | 3 4pcs $\varnothing 3.5 \times 35 \text{mm}$ | 4 2set | 5 4pcs 40mmx40mm | Assembly tools required |  Screw driver |  Rubber mallet | | | | | | |
| | Color galvanized screw with flat head | Color galvanized screw with flat head | Black screw with flat head | L-shape bracket | Bracket rainbow 90° | | | | | | | | | |
| Cabinet Part List | A | Front frame | B | side panels(2) | C | Top&Bottom panel | D | Wine grid(2) | E | Back panel | | | | |

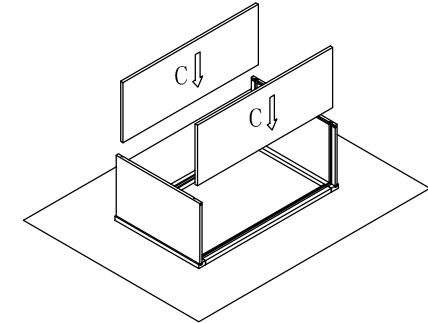
Step 1 : With front frame (A) of cabinet lay down on clean and soft surface then put glue into groove.



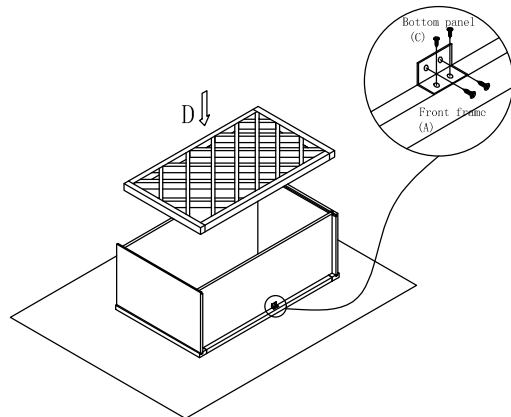
Step 2 : Install side panels. Insert two side panels (B) into groove of front frame (A) until side panel (B) and front frame (A) even.



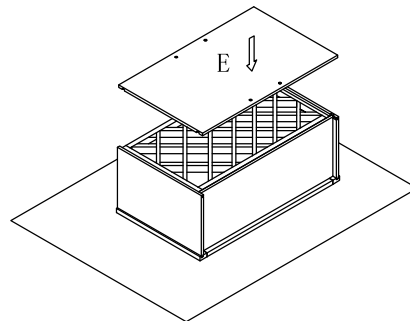
Step 3 : Install top&bottom panel (C) and fixed panel (D). Insert top&bottom panel (C) and fixed panel (D) into groove of side panel (B) until it into the groove of front frame (A).



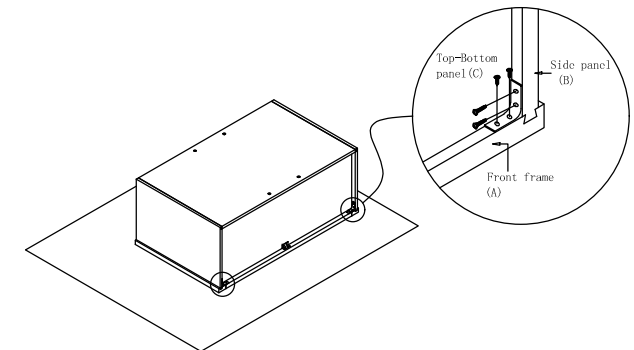
Step 4 : Install wine grid. Insert wine grid into the wine rack box until it's above the front frame and the other one at the back of the box then screw L-shape bracket to the frame and top&bottom panel.



Step 5 : Install the back panel (E) until the top and bottom panel into the groove of back panel.



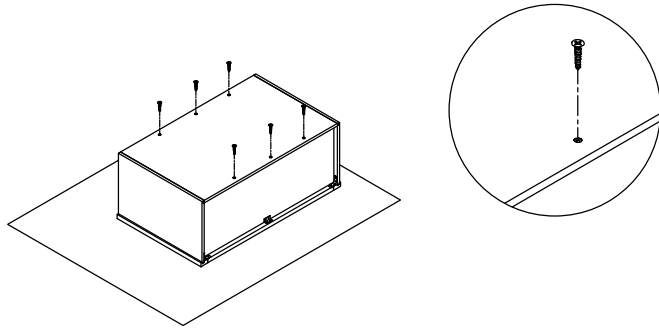
Step 6 : Screw rainbow bracket into front frame (A) and side panel (B).



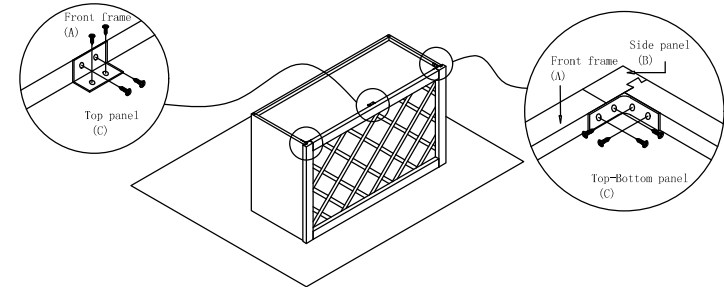
Wine Rack Cabinet Assembly Instruction

(Item:WR3618)

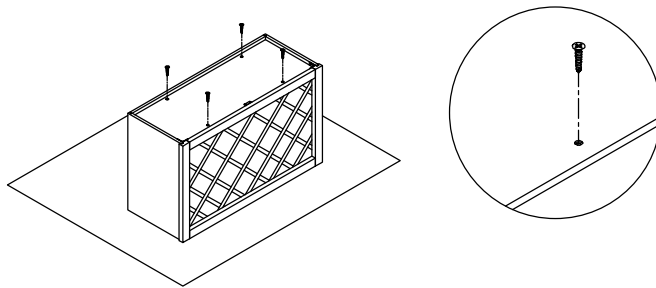
Step 7 : Install assembly screws into back panel.



Step 8 : Install rainbow bracket. Screw the rainbow bracket to the side panel(B) and front frame(A) and also screw the L-shape bracket to the front frame(A) and top panel(C).



Step 9 : Install assembly screws into top and bottom panel to ensure that wine grid is strong.



Step 10 : Finish installation of the cabinet.

