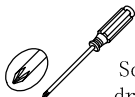

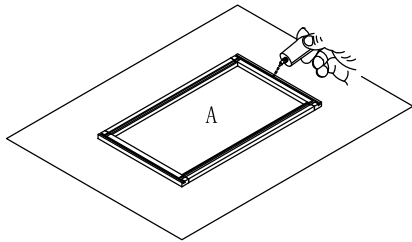


# Wine Rack Cabinet Assembly Instruction

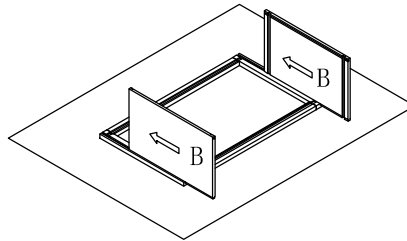
## (Item:WR3018 WR2430)

Hardware list	1   8pcs   $\varnothing 3.5 \times 14 \text{mm}$	2   16pcs   $\varnothing 3.5 \times 16 \text{mm}$	3   12pcs   $\varnothing 3.5 \times 35 \text{mm}$	4   2set	5   4pcs   $40 \text{mm} \times 40 \text{mm}$	Assembly tools required	 Screw driver	 Rubber mallet
	Color galvanized screw with flat head	Color galvanized screw with flat head	Black screw with flat head	L-shape bracket	Bracket rainbow 90°			
Cabinet Part List	A   Front frame	B   side panels(2)	C   Top&Bottom panel	D   Wine grid(2)	E   Back panel			

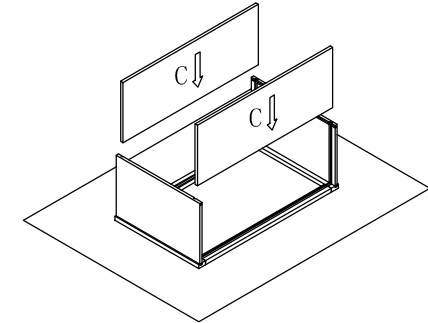
Step 1 : With front frame (A) of cabinet lay down on clean and soft surface then put glue into groove.



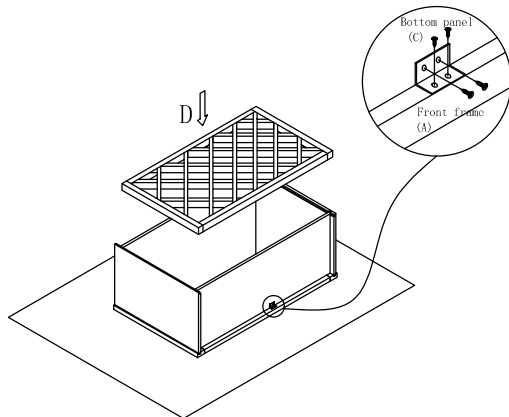
Step 2 : Install side panels. Insert two side panels (B) into groove of front frame (A) until side panel (B) and front frame (A) even.



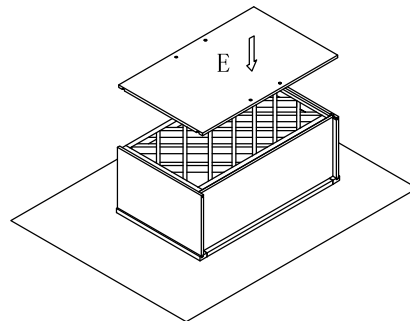
Step 3 : Install top&bottom panel (C) and fixed panel (D). Insert top&bottom panel (C) and fixed panel (D) into groove of side panel (B) until it into the groove of front frame (A).



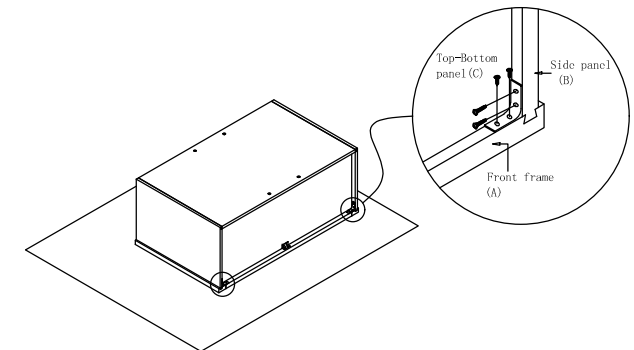
Step 4 : Install wine grid. Insert wine grid into the wine rack box until it's above the front frame and the other one at the back of the box then screw L-shape bracket to the frame and top&bottom panel.



Step 5 : Install the back panel (E) until the top and bottom panel into the groove of back panel.



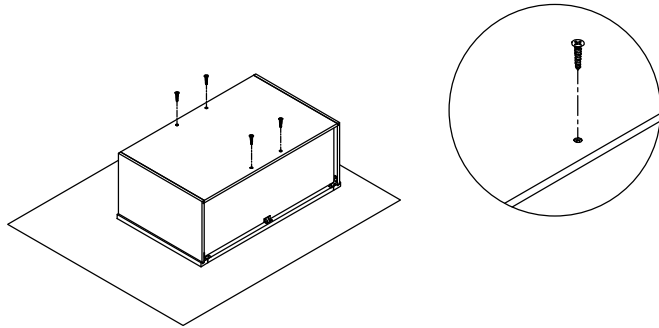
Step 6 : Screw rainbow bracket into front frame (A) and side panel (B).



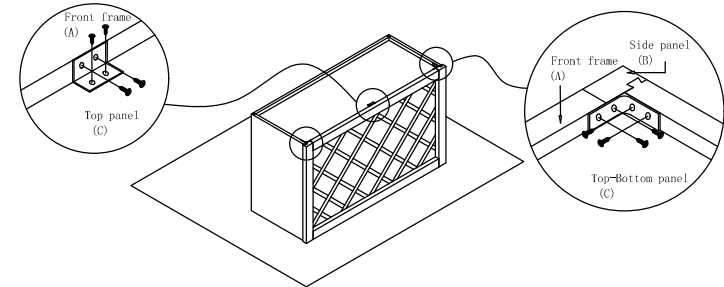
# Wine Rack Cabinet Assembly Instruction

(Item:WR3018 WR2430)

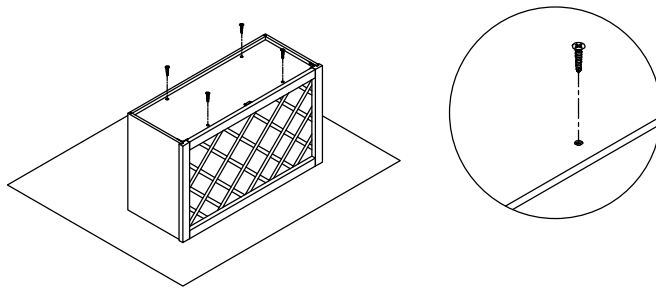
Step 7 : Install assembly screws into back panel.



Step 8 : Install rainbow bracket. Screw the rainbow bracket to the side panel(B) and front frame(A) and also screw the L-shape bracket to the front frame(A) and top panel(C).



Step 9 : Install assembly screws into top and bottom panel to ensure that wine grid is strong.



Step 10 : Finish installation of the cabinet.

