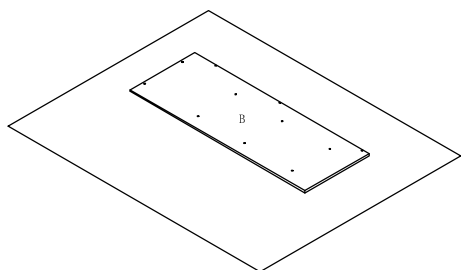
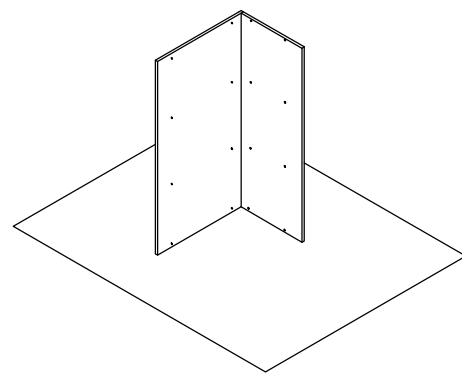
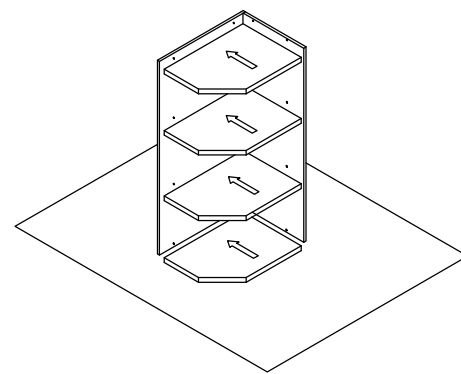


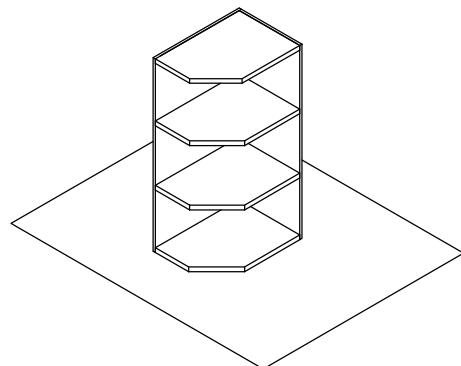
Wall End Shelf Cabinet Assembly Instruction

(Item:WES0930 WES0936)

Hardware list	1	19pcs	Ø4x25mm						Assembly tools required	 Screw driver	 Rubber mallet
				Black screw with flat head							

Cabinet Part List	A	Small side panel(1)	B	Big side panel(1)	C	Top&Bottom panel(2)	D	Fixed shelf	E	Toe kick				
-------------------	---	---------------------	---	-------------------	---	---------------------	---	-------------	---	----------	--	--	--	--

<p>Step 1 : With big side panel (B) of cabinet lay down on clean and soft surface then put glue into groove.</p> 	<p>Step 2 : Assambly small side panel (A) to the big side panel (B).</p> 	<p>Step 3 : Assambly top&bottom panel(C) and fixed shelf(D).</p> 
--	---	--

<p>Step 4 : Finish installation of the cabinet.</p> 		
---	--	--