


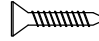

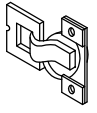
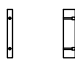
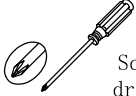
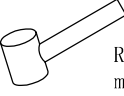
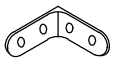

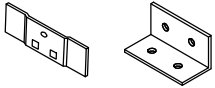
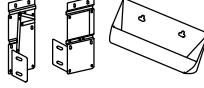
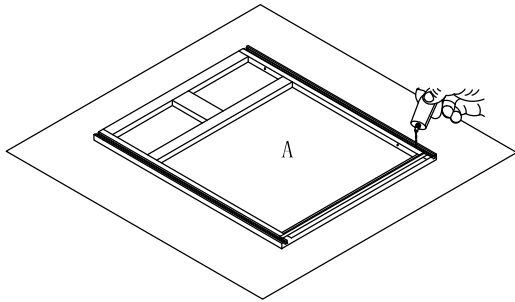


# Sink Base Cabinet Assembly Instruction

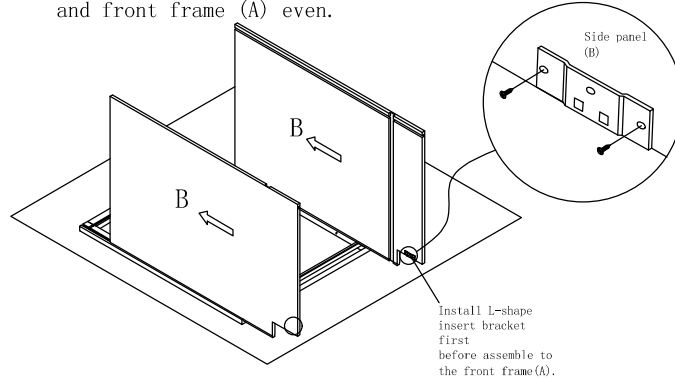
## (Item:SB30-SB33)

Hardware list	1   8pcs   $\varnothing 4 \times 16 \text{mm}$ Flat head screw	2   4pcs   $\varnothing 4 \times 19 \text{mm}$ Round head screw	3   20pcs   $\varnothing 3.5 \times 14 \text{mm}$ Color galvanized screw with flat head	4   16pcs   $\varnothing 3.5 \times 16 \text{mm}$ Color galvanized screw with flat head	5   10pcs   $\varnothing 3.5 \times 35 \text{mm}$ Black screw with flat head	6   4pcs   1-1/4" Hinge	7   4pcs   152mmx38mmx16mm Connection wood	
								
Assembly tools required	Screw driver	Rubber mallet	H   Drawer part		11   4pcs   40mmx40mm Bracket rainbow 90°	10   12pcs   $\varnothing 7$ Bumper	9   4set   L-shape bracket	8   2set   MH-L/R CWH1 Overhead door hinge
								
Cabinet Part List	A   Front frame	B   Side panel(2)	C   Bottom panel	D   Back panel	E   Toe kick panel	F   Adjustable shelf	G   Door	

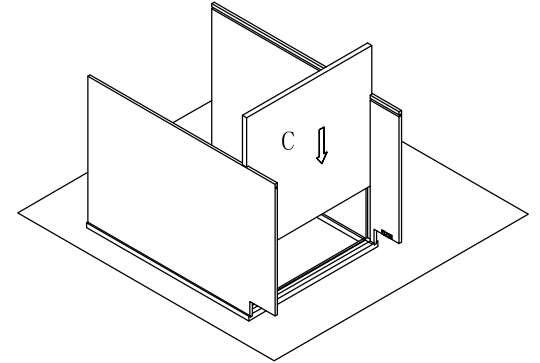
Step 1 : With front frame (A) of cabinet lay down on clean and soft surface then put glue into groove.



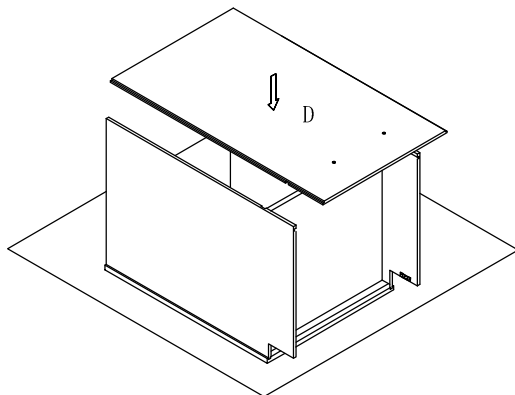
Step 2 : Install side panel. Insert both side panel (B) into groove of front frame (A) until side panel (B) and front frame (A) even.



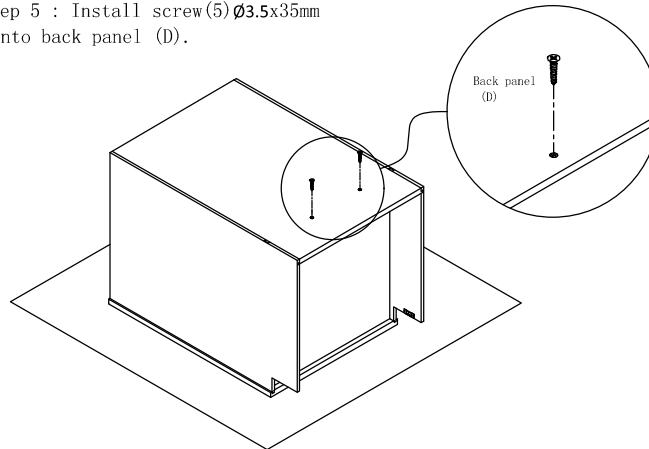
Step 3 : Install bottom panel. Insert the bottom panel (C) into groove of side panel (B) until it into the groove of front frame (A).



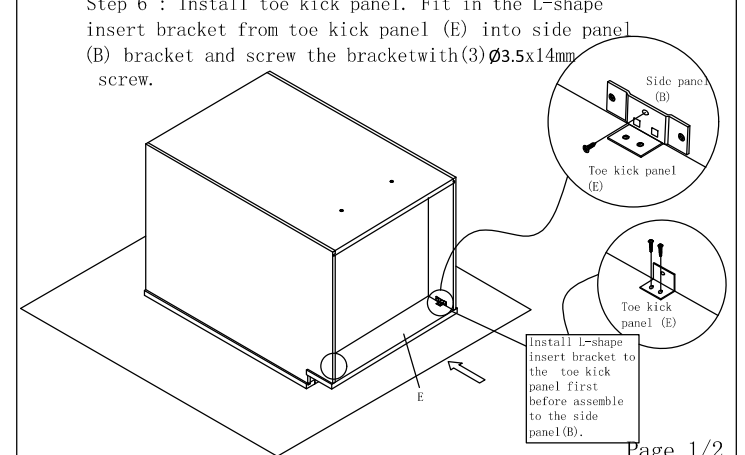
Step 4 : Install back panel. Insert back panel (D) into groove of left and right side panel (B).



Step 5 : Install screw (5)  $\varnothing 3.5 \times 35 \text{mm}$  into back panel (D).



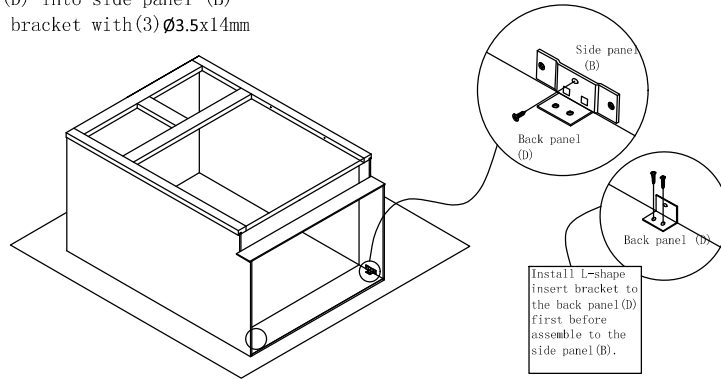
Step 6 : Install toe kick panel. Fit in the L-shape insert bracket from toe kick panel (E) into side panel (B) bracket and screw the bracket with (3)  $\varnothing 3.5 \times 14 \text{mm}$  screw.



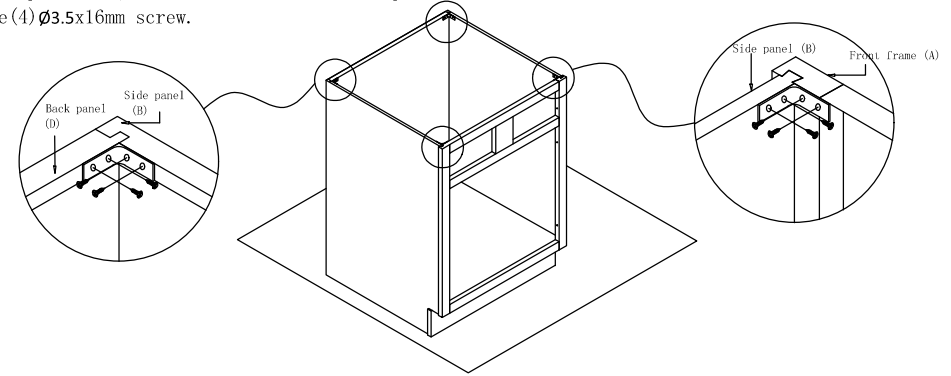
# Sink Base Cabinet Assembly Instruction

## (Item:SB30-SB33)

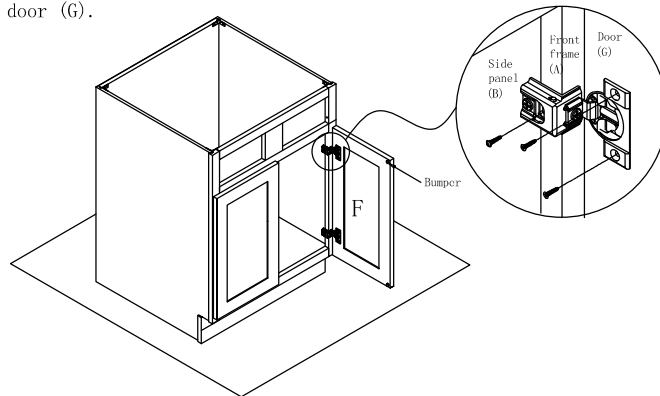
Step 7 : Install back panel. Fit in the L-shape insert bracket from back panel (D) into side panel (B) and assembly the bracket with (3)  $\varnothing 3.5 \times 14$ mm screw.



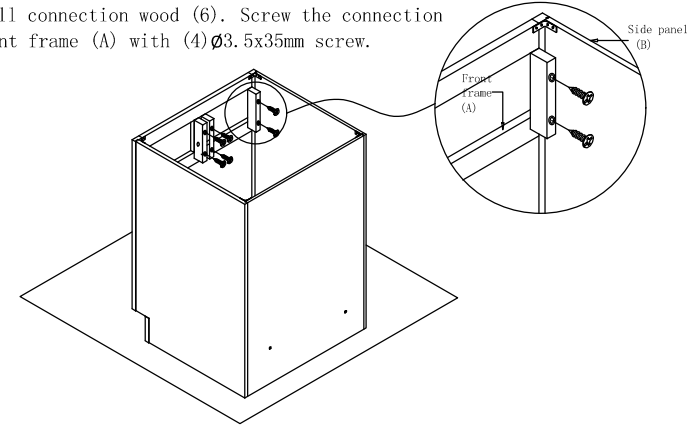
Step 8 : Install corner block. Install rainbow bracket to the side panel (B), front frame (A) and back panel (D) with the (4)  $\varnothing 3.5 \times 16$ mm screw.



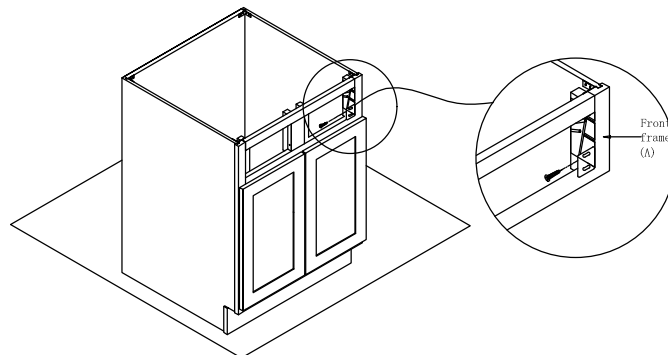
Step 9 : Install door panel (G). Screw the hinge to the front frame (A) and door (G).



Step 10 : Install connection wood (6). Screw the connection wood to the front frame (A) with (4)  $\varnothing 3.5 \times 35$ mm screw.



Step 11 : Install overhead door hinge (7). Screw the overhead door hinge to the connection wood (6) and the drawer front (H), then install the overhead door hinge box to the drawer front.



Step 12 : Finish installation of cabinet.

