



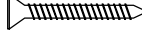
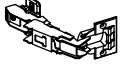
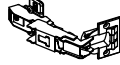
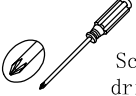
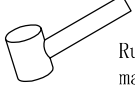
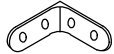

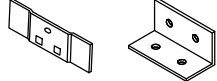
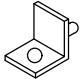
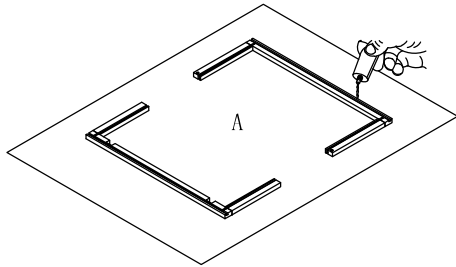


Lazy Susan Assembly Instruction

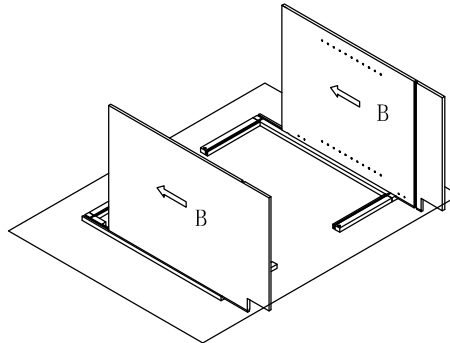
(Item:LS33-LS36)

Hardware list	1 8pcs $\varnothing 4 \times 16 \text{mm}$ Flat head screw	2 4pcs $\varnothing 4 \times 19 \text{mm}$ Round head screw	3 20pcs $\varnothing 3.5 \times 14 \text{mm}$ Color galvanized screw with flat head	4 10pcs $\varnothing 3.5 \times 16 \text{mm}$ Color galvanized screw with flat head	5 37pcs $\varnothing 3.5 \times 35 \text{mm}$ Black screw with flat head	6 2set 135° Hinge	7 2set 165° Hinge								
															
Assembly tools required	Screw driver 	Rubber mallet 	11 4pcs 40mmx40mm Bracket rainbow 90° 		10 2pcs $\varnothing 7$ Bumper 	9 4set L-shape bracket 	8 8pcs 6mm Shelf clips 								
	Cabinet Part List														
A	Front frame(2)	B	Small side panels(2)	C	Big side panels(2)	D	Bottom panel	E	Door	F	Back panel	G	Adjustable shelf	H	Toe kick panel

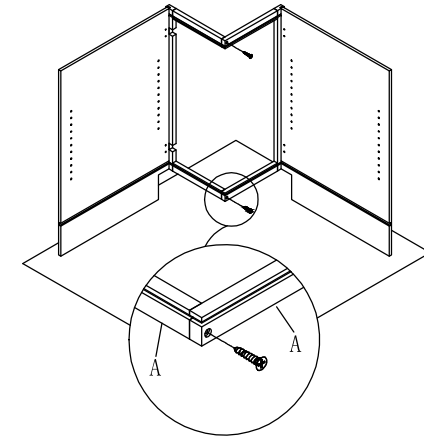
Step 1 : With front frame (A) of cabinet lay down on clean and soft surface then put glue into groove.



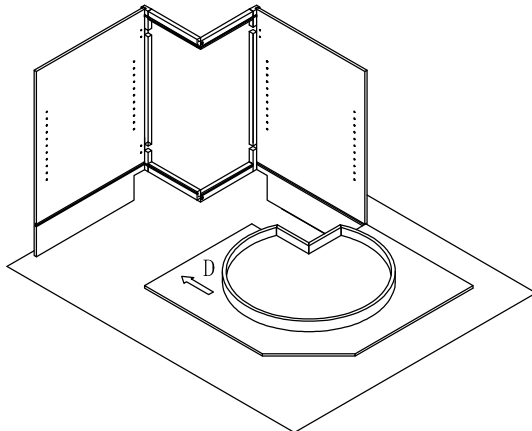
Step 2 : Install side panel. Insert both side panel (B) into groove of front frame (A) until side panel (B) and front frame (A) even.



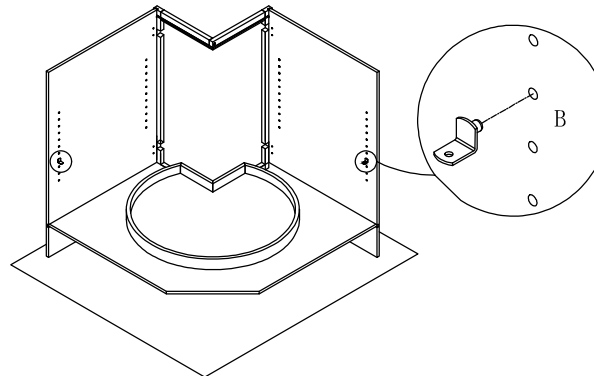
Step 3 : Install screws of front frame with (4) $\varnothing 3.5 \times 35 \text{mm}$ screw.



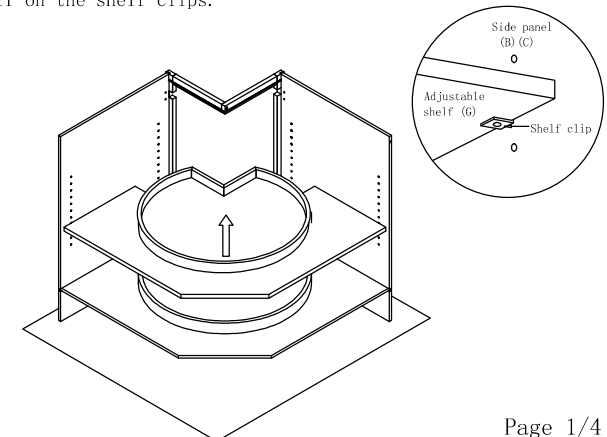
Step 4 : Insert the bottom panel (D) into the side panels and frames groove.



Step 5 : Install shelf clips. Install the shelf clips to small side panels.



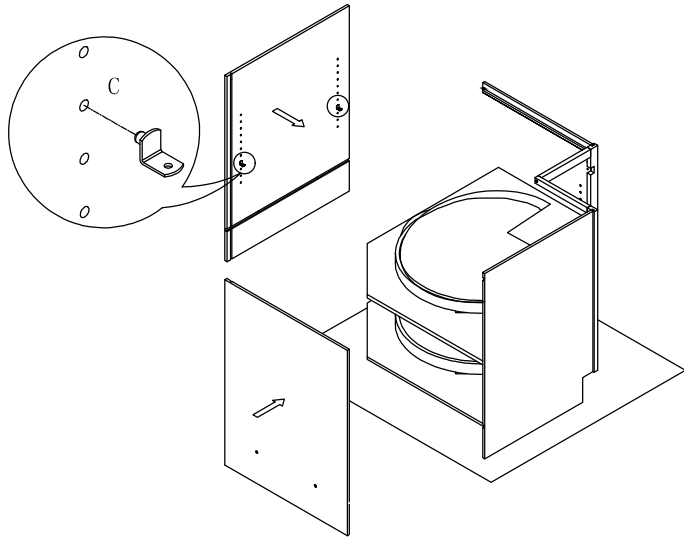
Step 6 : Install adjustable shelf (G). Put the adjustable shelf on the shelf clips.



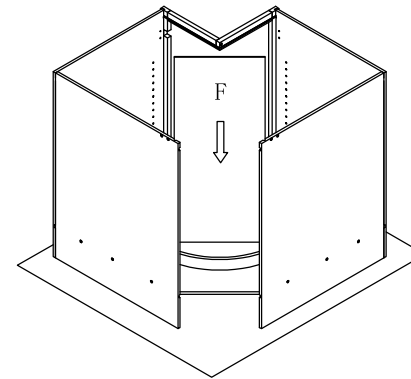
Lazy Susan Assembly Instruction

(Item:LS33-LS36)

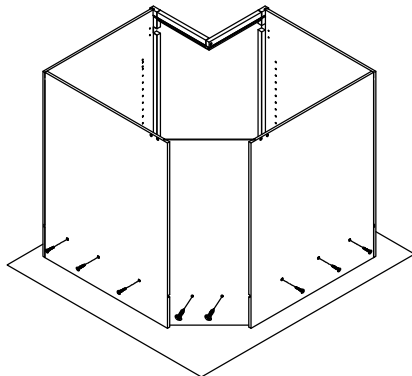
Step 7 : Install big side panels. First install the shelf clips to big side panels, then install big side panels.



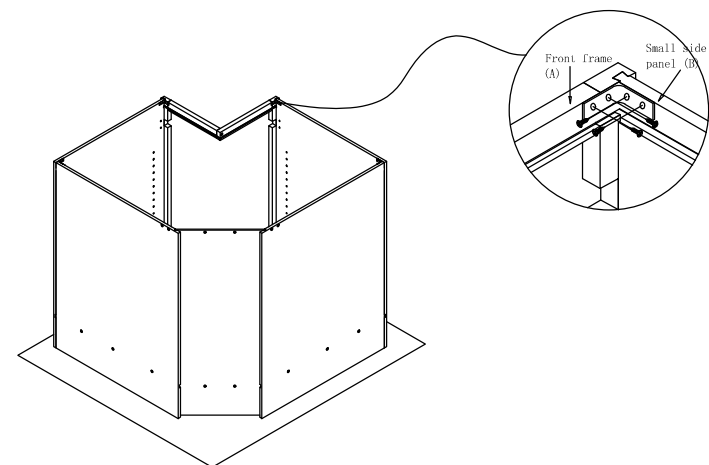
Step 8 : Install the back panel (F). Insert the back panel into the two big side panels.



Step 9 : Install screws of back panel (F) and big side panels (C) with (5) $\varnothing 3.5 \times 35$ mm screws.



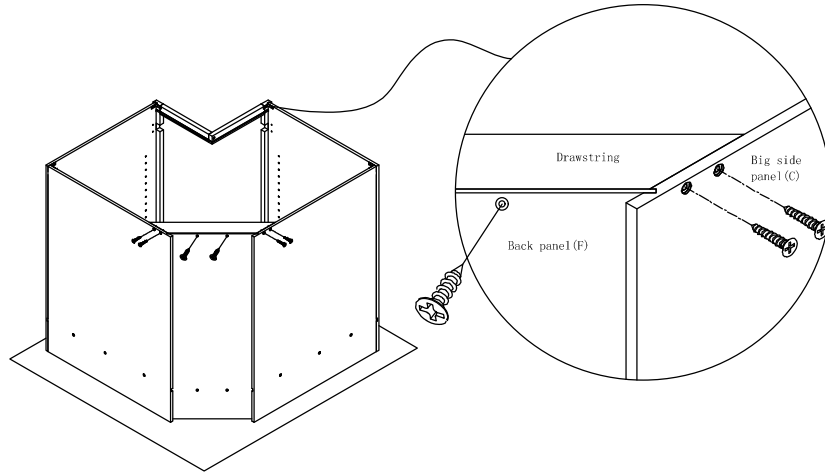
Step 10 : Install corner block. Install rainbow bracket to the small side panels (B), front frame (A) and big side panels (C) with the (4) $\varnothing 3.5 \times 16$ mm screw.



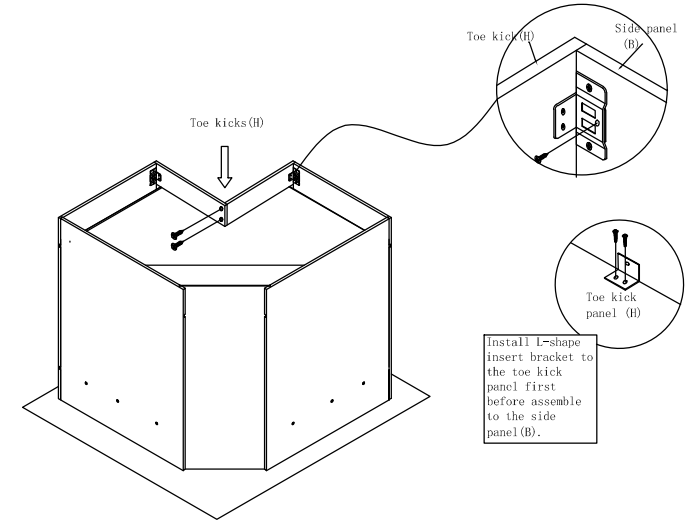
Lazy Susan Assembly Instruction

(Item:LS33-LS36)

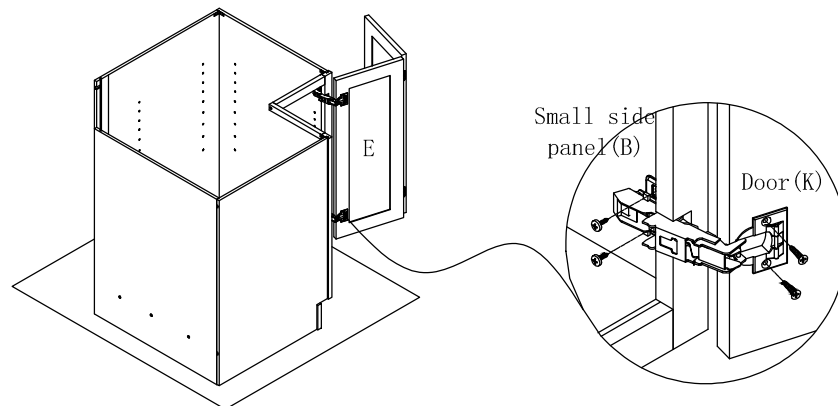
Step 11 : Install corner block. Install bracket rainbow to the big side panels (C), back panel (F) with the(4)Ø3.5x35mm screw.



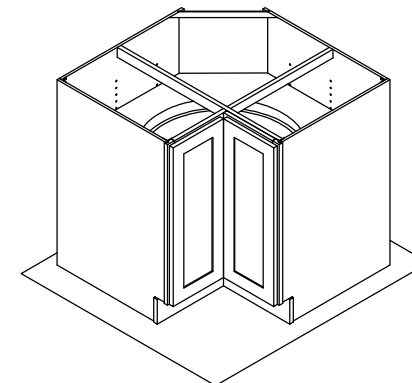
Step 12 : Screw the two toe kicks with(4)Ø3.5x35mm screws, then fit in the L-shape insert bracket from toe kick panel (H) into side panel (B) bracket and screw the bracket with (3) Ø3.5x14mm screws, the same as small and big panels.



Step 13 : Install door panels(E).First screw the two doors with 135° hinge then Screws the 165° hinge to the door panel with(1)Ø4x16mm screw and front frame with(2) Ø4x19mm screw .



Step 14 : Assembly connection wood.



Lazy Susan Assembly Instruction

(Item:LS33-LS36)

Step 14 : Finish installation of cabinet.

