



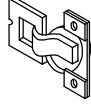
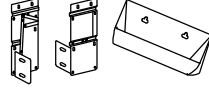
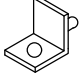
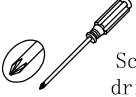
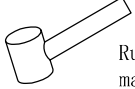
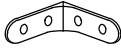
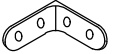

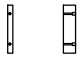
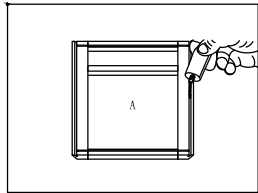


Corner Sink Base cabinet Assembly Instruction

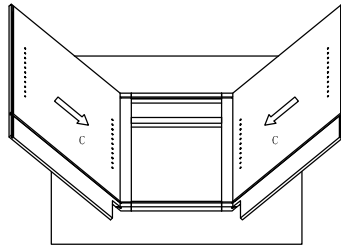
(Item:CSB36)

Hardware list	1 4pcs $\varnothing 4 \times 16\text{mm}$ Flat head screw	2 2pcs $\varnothing 4 \times 19\text{mm}$ Round head screw	3 16pcs $\varnothing 3.5 \times 16\text{mm}$ Color galvanized screw with flat head	4 18pcs $\varnothing 3.5 \times 35\text{mm}$ Black screw with flat head	5 2set 1-1/4" Hinge	6 1set MH-L/R CWH1 Overhead door hinge	7 8pcs 6mm Shelf clips	
								
Assembly tools required	Screw driver	Rubber mallet		11 2pcs 40mmx40mm Bracket rainbow 135°	10 2pcs 40mmx40mm Bracket rainbow 90°	9 4pcs $\varnothing 7$ Bumper	8 2pcs 152mmx38mmx16mm Connection wood	
								
Cabinet Part List	A Front frame	B Small side panels(2)	C Big side panels(2)	D Bottom panel	E Door	F Back panel	G Adjustable shelf	H Toe kick panel

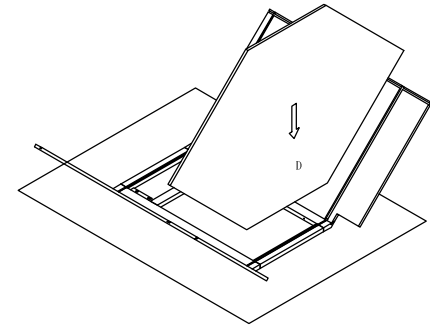
Step 1 : With front frame (A) of cabinet lay down on clean and soft surface then put glue into groove.



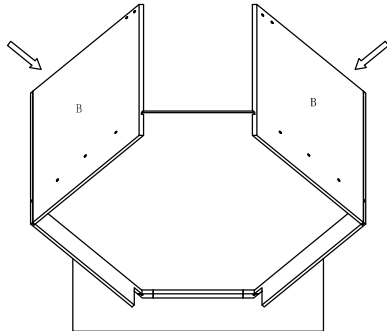
Step 2 : Install big side panels(C). Insert two big side panels(C) into groove of front frame(A) until side panel(C) and front frame(A) even.



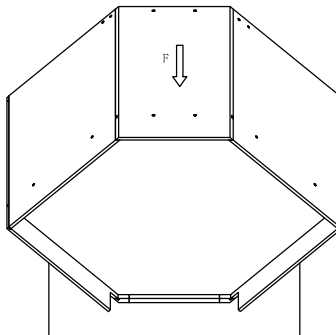
Step 3 : Install bottom panel(D). Insert the bottom panel into groove of big side panel until it into groove of front frame.



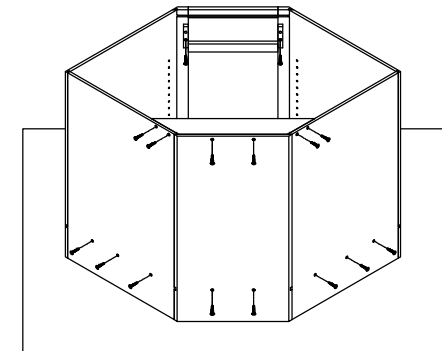
Step 4 : Insert small side panels(B). Insert two small side panels into groove of both two big side panels until the bottom panels insert into groove of small side panels.



Step 5 : Insert the back panel(F).

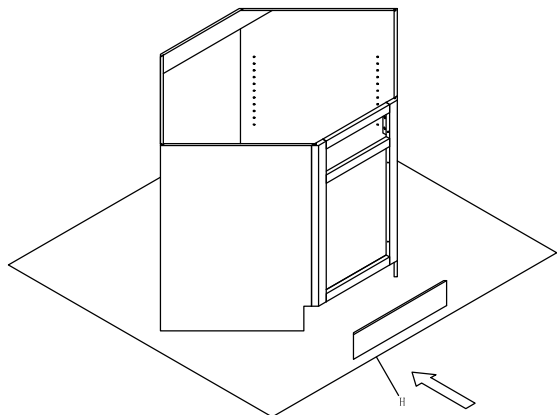


Step 6 : Install assembly screws of back panel / side panels and connect panels.

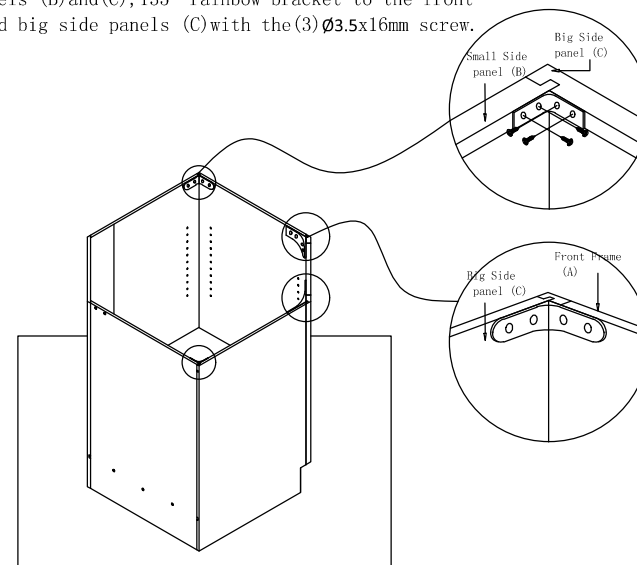


Corner Sink Base cabinet Assembly Instruction (Item:CSB36)

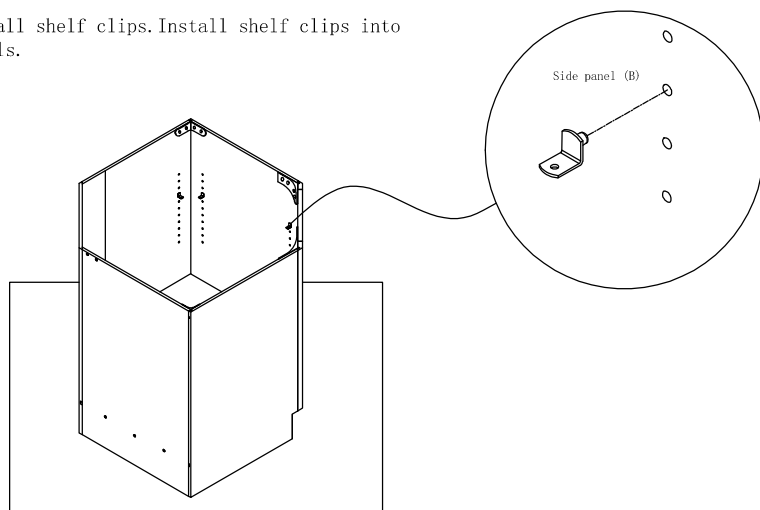
Step 7 : Install toe kick. nails toe kick panel(H) onto big side panels(C) using nail gun.



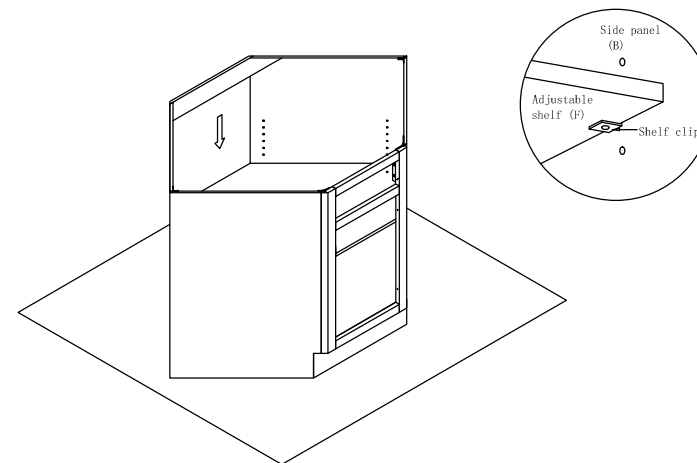
Step 8 : Install corner block. Install 90° rainbow bracket to the side panels (B) and (C), 135° rainbow bracket to the front frame (A) and big side panels (C) with the (3) $\varnothing 3.5 \times 16$ mm screw.



Step 9 : Install shelf clips. Install shelf clips into all side panels.

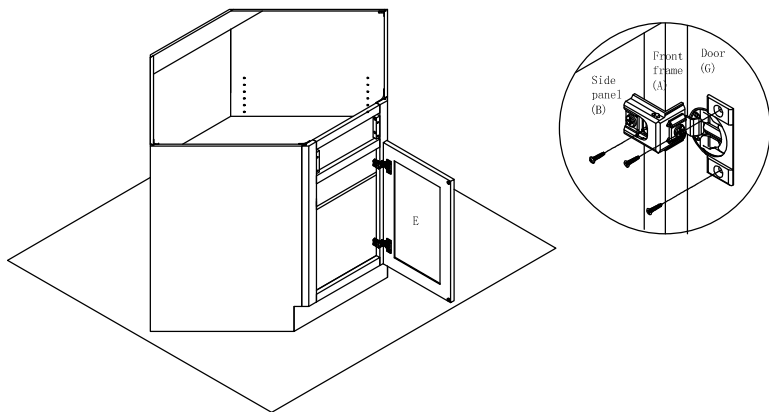


Step 10 : Install adjustable shelf (G). Put the adjustable shelf on the shelf clips.

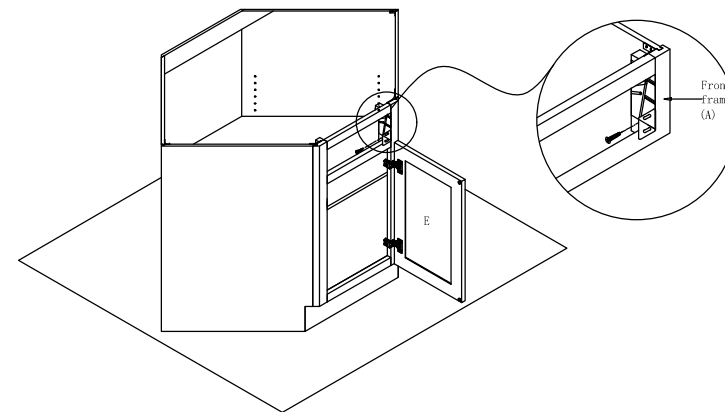


Corner Sink Base cabinet Assembly Instruction (Item:CSB36)

Step 11 : Install door panel(E). screw the hinge to the door panel and font frame.



Step 12 : Install overhead door hinge (7). Screw the overhead door hinge to the connection wood (6) and the drawer front(H), then install the overhead door hinge box to the drawer front



Step 13 :Finish installion of the cabinet.

